



smoke curtains

Doorfix Ring-gard Smoke Curtains have always been at the forefront of engineered smoke strategies.

Originally the primary use of smoke curtains was for smoke containment and smoke channelling, particularly in complex buildings such as airports and shopping centres.

Smoke sealing and smoke permeability are now important considerations and in both cases **Doorfix Ring-gard** Smoke Curtains have a suitable curtain solution.

The SD60 Smoke Curtain has been utilised by architects and fire engineers in buildings all over the world. It is a highly regarded for its lightweight robustness and quality engineering.

- EN 12101 B Reliability Test
 - EN 12101 C Air Leakage Test
 - EN 12101 D FR & Integrity Test
 - UL 10D Fire Protective Curtains 60 mins
 - UL 10D S Smoke Sealing
 - UL864 Releasing Devices
 - EN1634-3 Assembly Leakage
 - BS476 – 6 & 7 Fire Propagation / Surface Spread
 - BS7346 - 3
-
- Fabric Type X32K
 - Fabric Rating 60 minutes
 - Fabric Weight 540gr/sq. metre
 - Curtain Descent Gravity fail-safe



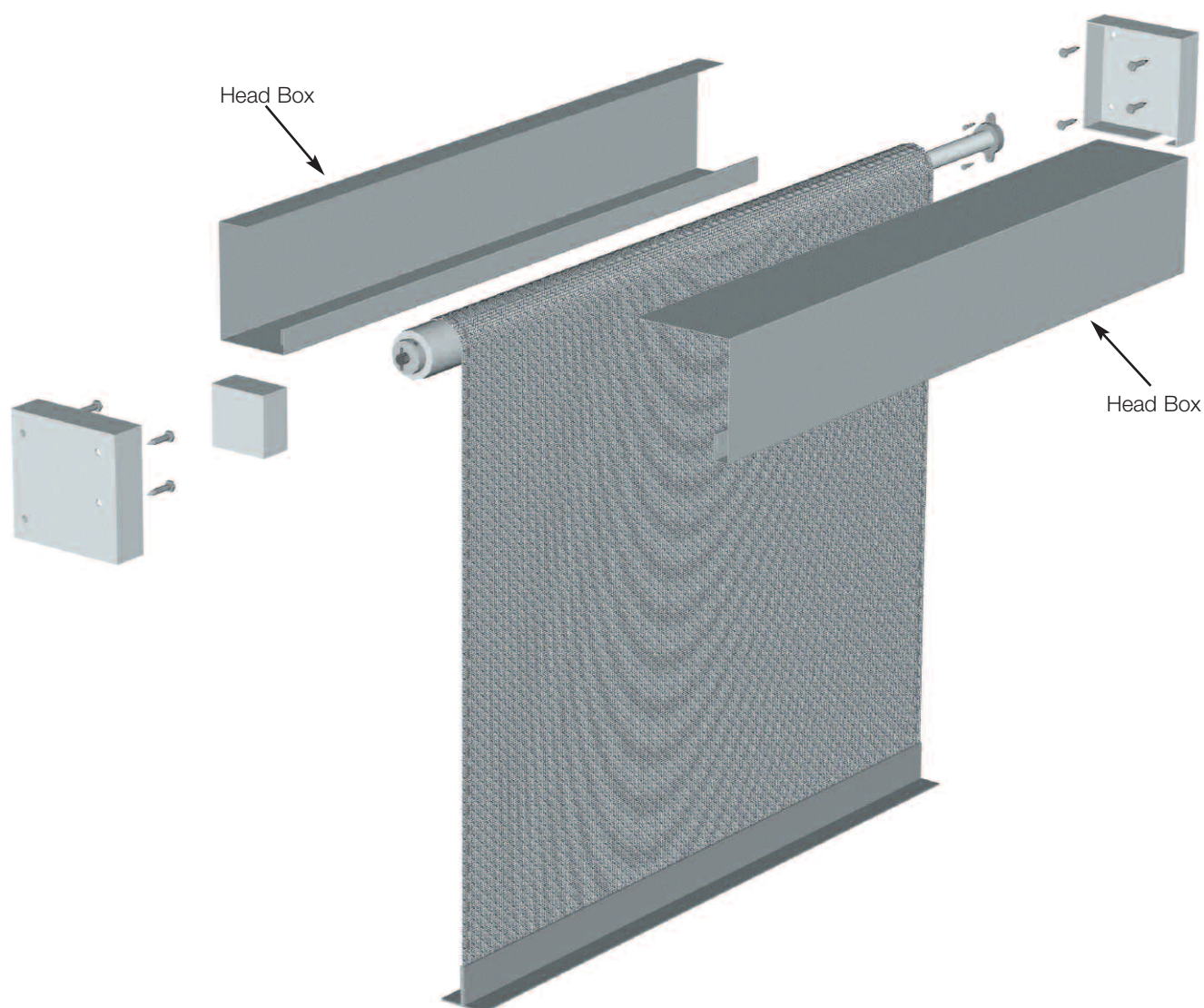
Doorfix Ring-gard Smoke Curtains also have a large number of assessments on their tests based around customers' specific requirements for individual projects.

Maintenance

All our products are manufactured to a very high specification. However, planned maintenance can ensure trouble free operation.

Our Service Department can advise on a suitable maintenance agreement.

smoke curtains



Head Box dimensions: from 180 x 180mm

For any other size requirements,
please contact our
technical department.



E: sales@doorfix.ie
www.doorfix.ie
www.doorfix.co.uk

